

# TECHNICAL SPECS, cont.

## TURBO SPREADING TABLES FOR MATERIAL

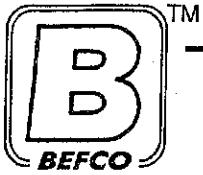
Material Type	PTO Speed	Spread Width	MPH	Pounds Per Acre @Lever Position						
				1	2	3	4	5	6	7
Coarse Grain 540	60		2.5	43	194	489	870	1,332	1,773	2,163
			3.8	29	129	325	580	887	1,182	1,442
			5.0	21	97	244	435	666	886	1,081
			6.3	17	77	195	348	532	708	864
			7.5	14	64	162	289	444	591	721
Medium Grain 540	50		2.5	48	226	568	990	1,455	1,953	2,489
			3.8	32	151	379	660	969	1,302	1,659
			5.0	24	113	283	494	728	977	1,243
			6.3	20	91	226	387	582	781	995
			7.5	16	76	189	330	485	591	721
Fine Grain 540	40		2.5	57	335	733	1,208	1,740	2,273	2,731
			3.8	37	223	498	805	1,161	1,515	1,821
			5.0	29	167	367	599	869	1,137	1,365
			6.3	22	134	293	482	696	909	1,093
			7.5	19	111	244	402	580	757	910
Med. Cristalline540	46		2.5	80	432	869	1,495	2,125	2,701	3,225
			3.8	53	289	579	996	1,416	1,800	2,149
			5.0	40	216	435	746	1,063	1,350	1,612
			6.3	31	172	347	598	851	1,080	1,290
			7.5	27	144	289	498	709	900	1,074
Cal. Cyamide 540 (Lime)	20		2.5	132	662	1,283	2,326	3,504	4,546	5,614
			3.8	87	441	846	1,551	2,335	3,030	3,743
			5.0	66	330	642	1,163	1,752	2,273	2,807
			6.3	52	265	513	931	1,401	1,819	2,245
			7.5	41	220	426	775	1,168	1,515	1,870
Ammonium Sulph. 540	27		2.5	146	827	1,609	2,829	3,844	4,827	6,108
			3.8	98	550	1,073	1,886	2,562	3,217	4,071
			5.0	73	413	804	1,414	1,922	2,413	3,054
			6.3	58	330	644	1,131	1,536	1,930	2,442
			7.5	49	275	536	942	1,281	1,608	2,035
Thomas Meal 540	20		2.5	249	1,010	1,867	3,124	5,139	7,004	8,497
			3.8	166	672	1,244	2,082	3,426	4,669	5,659
			5.0	125	504	933	1,561	2,570	3,502	4,249
			6.3	100	403	746	1,250	2,056	2,801	3,399

# TECHNICAL SPECS, cont.

CUSTOM TABLE FOR YOUR SPECIFIC MATERIAL APPLICATION

Pounds Per Acre  
@Lever Position

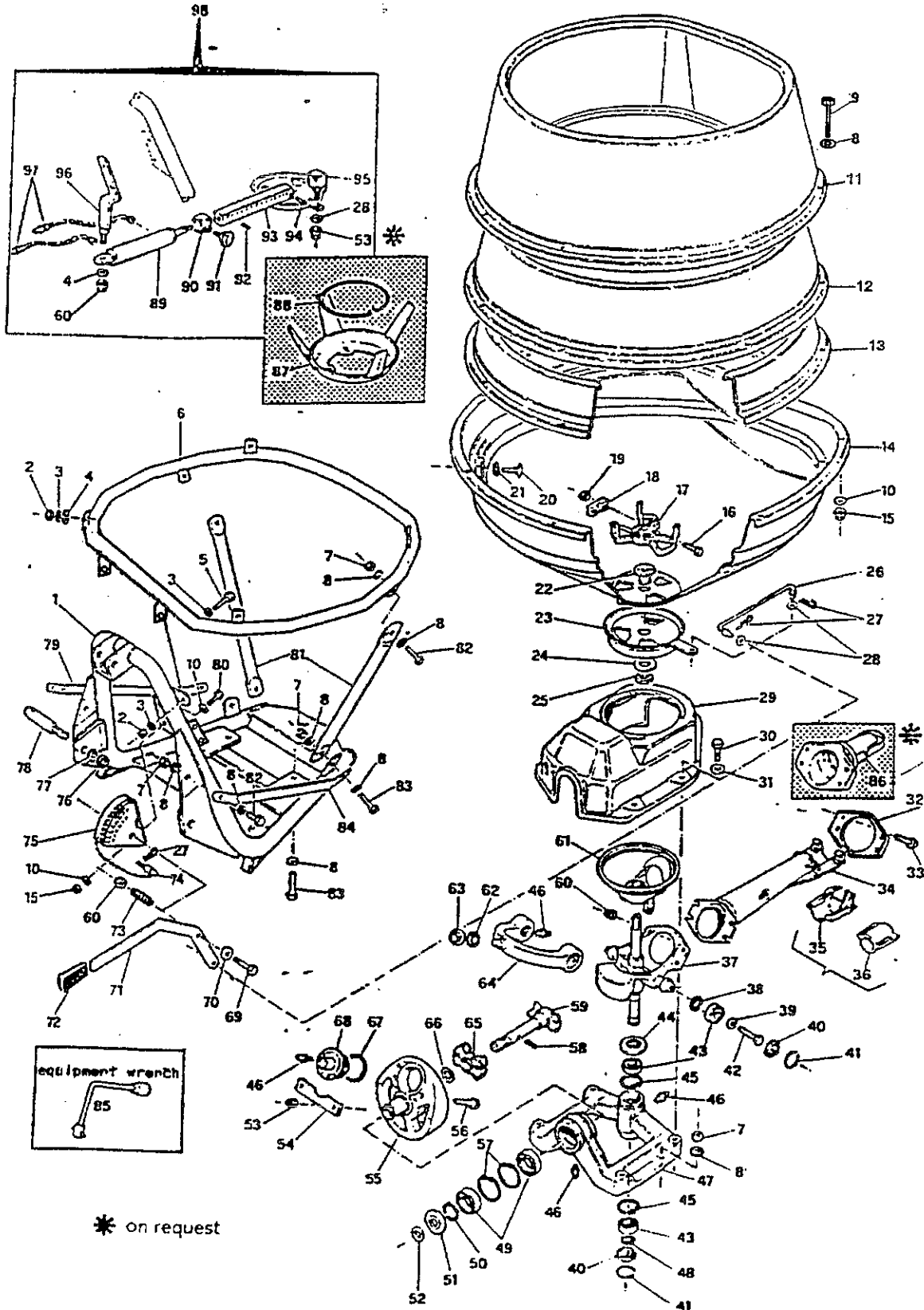
Material Type	PTO Speed	Spread Width	MPH	1	2	3	4	5	6	7



Pendular Spreader  
Frame

GR16

16 (314, 320, 325, 335)- 121

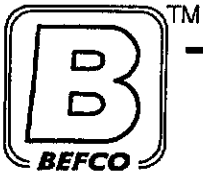




Pendular Spreader  
Frame  
16 (314, 320, 325, 335)- 121

GR16

ITEM	PART #	DESCRIPTION	QTY.
1	503 259B	FRAME	1
2	001 5360	NUT M10	8
3	501 901B	WASHER M10	12
4	000 2034	FLAT WASHER M10	4
5	009 1281	BOLT M10 X 35	4
6	503 260B	HOPPER RING	1
7	501 903B	NUT M12	12
8	501 904B	WASHER M12	20
9	501 905B	BOLT 8X30	8
10	501 906B	FLAT WASHER M8	20
11	501 907B	EXTENSION 906	-
12	501 908B	EXTENSION 706	-
13	501 909B	EXTENSION 506	-
14	501 910B	HOPPER	1
	501 986B	HOPPER W/STAINLESS STEEL	1
15	009 1384	NUT M8	10
16	009 1128	BOLT N14X65	2
17	501 911B	AGITATOR	1
18	503 204B	AGITATOR FIXING PLATE	1
19	000 1177	NUT M14	2
20	501 913B	BOLT M10X30	4
21	501 914B	WASHER FOR HOPPER FIXING	4
22	501 915B	AGITATOR BUSH-GUIDE	1
23	501 916B	DOSING DISC	1
24	501 917B	ADJUSTING RING	1
25	501 918B	RING NUT	1
26	501 919B	ADJUSTMENT LEVER	1
27	501 920B	'R' SHAPE PIN	3
28	501 921B	SHIM WASHER M12	2
29	501 922B	GUARD	4
30	003 3176	BOLT M10X25	4
31	501 923B	WASHER M10X30	4
32	501 924B	COUPLING FLANGE	1
33	501 925B	BOLT M10X50	4
34	501 926B	PENDULUM SPOUT	1
35	501 927B	CUP	1
36	501 928B	BUSHING	1
37	501 929B	SPOUT MOUNTING	1
38	501 930B	DUST FENDER	2
39	501 931B	WASHER	2
40	501 932B	FORK GUARD	3
41	501 933B	RING BR62	3
42	501 934B	BOLT M12X80	2

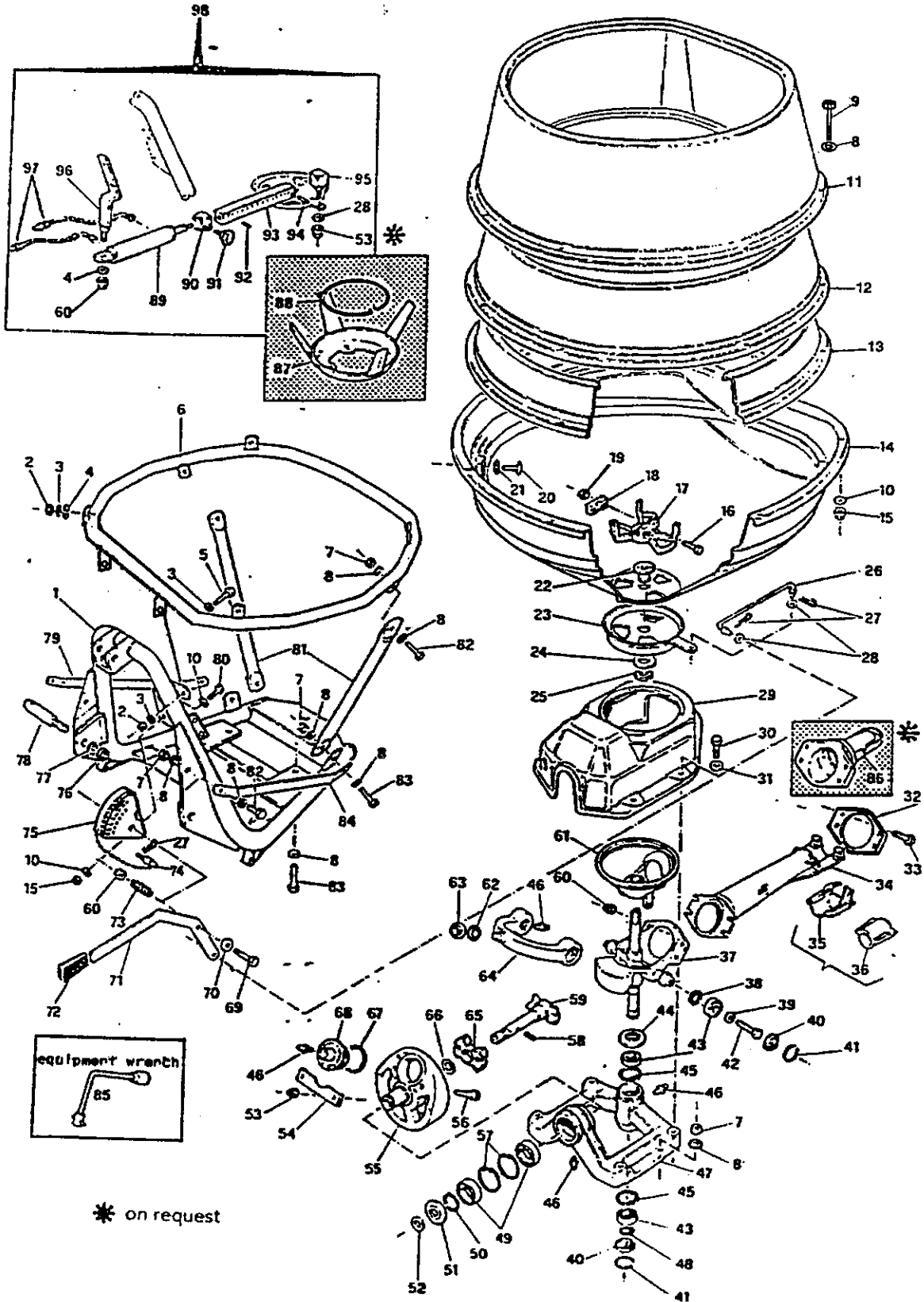


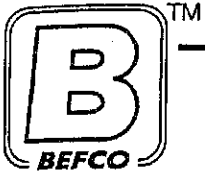
Pendular Spreader  
Frame  
16 (314, 320, 325, 335)- 121

GR16

1093

CHRIS

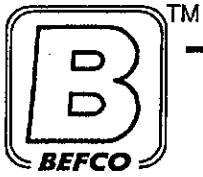




Pendular Spreader  
Frame  
16 (314, 320, 325, 335)- 121

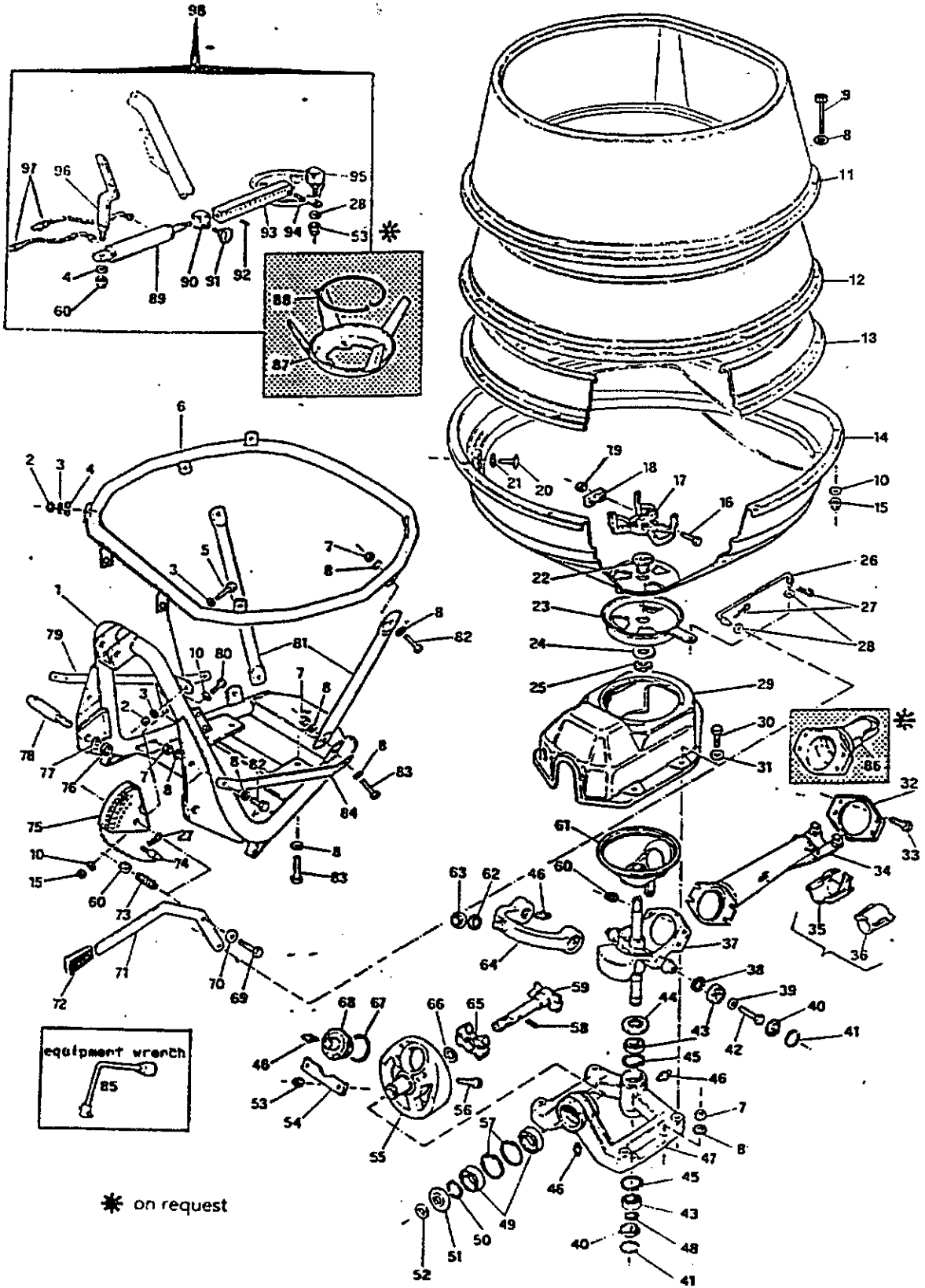
GR16

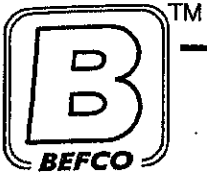
ITEM	PART #	DESCRIPTION	QTY.
43	501 935B	BEARING 6206	4
44	501 936B	SHAFT COVER	1
45	501 937B	CIRCLIP 62 I	2
46	000 6635B	GREASE FITTING M6 THREADED	5
47	501 938B	SPREAD-UNIT MOUNTING	1
48	501 939B	CIRCLIP 30 E	1
49	501 940B	BEARING 6011	2
50	501 941B	CIRCLIP 55E	1
51	501 942B	FRONT COVER	1
52	501 943B	FRONT WASHER	1
53	001 3345	NUT M12	2
54	501 944B	FIXING PLATE	1
55	501 945B	FLYWHEEL	1
56	501 946B	BOLT M12X55	2
57	501 947B	CIRCLIP 90 I	2
58	000 011E	PIN 8X50	1
59	502 537B	COUPLING SHAFT	1
60	001 5237	NUT M10	5
61	501 949B	CUP	1
62	501 950B	FORK GUARD	1
63	000 6634	BEARING 6205	1
64	501 951B	FORK	1
65	501 952B	RUBBER SHOCK ABSORBER	1
66	501 953B	WASHER	1
67	501 954B	RING OR 2350	1
68	501 955B	STROKE ADJUSTER	1
69	501 956B	BOLT M10X65	1
70	501 957B	BAKELITE DISC	1
71	501 958B	ADJUSTMENT LEVER	1
72	501 959B	HAND GRIP	1
73	501 960B	COMPRESSION SPRING	1
74	501 961B	STROKE STOP PIN	1
75	501 962B	SELECTOR	1
76	501 963B	NUT MB24	2
77	501 964B	WASHER GROWER M24	2
78	501 965B	COUPLING PIN	2
79	503 263B	RIGHT TIE ROD	1
80	009 1446	BOLT M8X25	2
71	503 261B	VERTICAL SUPPORT	2
82	000 7255	BOLT M12X35	4
83	000 7716	BOLT M12X45	6
84	503 262B	LEFT TIE ROD	



Pendular Spreader  
Frame  
16 (314, 320, 325, 335)- 121

GR16



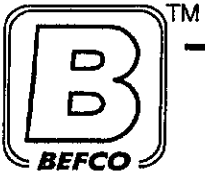


Pendular Spreader  
Frame  
16 (314, 320, 325, 335)- 121

GR16

ITEM	PART #	DESCRIPTION	QTY.
85	501 969B	ADJUSTMENT WRENCH	1
86	501 970B	SAND SPOUT	1
87	501 971B	AGITATOR RIM	1
88	501 972B	AGITATOR FIXING RING	1
89	501 973B	CYLINDER	1
90	501 974B	SLIDER	1
91	501 975B	HANDWHEEL	1
92	501 976B	PIN 5X16	1
93	501 977B	SCALE	1
94	501 978B	PIN 8X36	1
95	501 979B	FIXED SLIDER	1
96	501 980B	CYLINDER SUPPORT	2
97	501 981B	OIL DUCT	-
98	501 982B	HYDRAULIC REMOTE CONTROL	1
99	501 983B	GEARBOX COMPLETE	1
100	501 987B	STAINLESS STEEL RING	

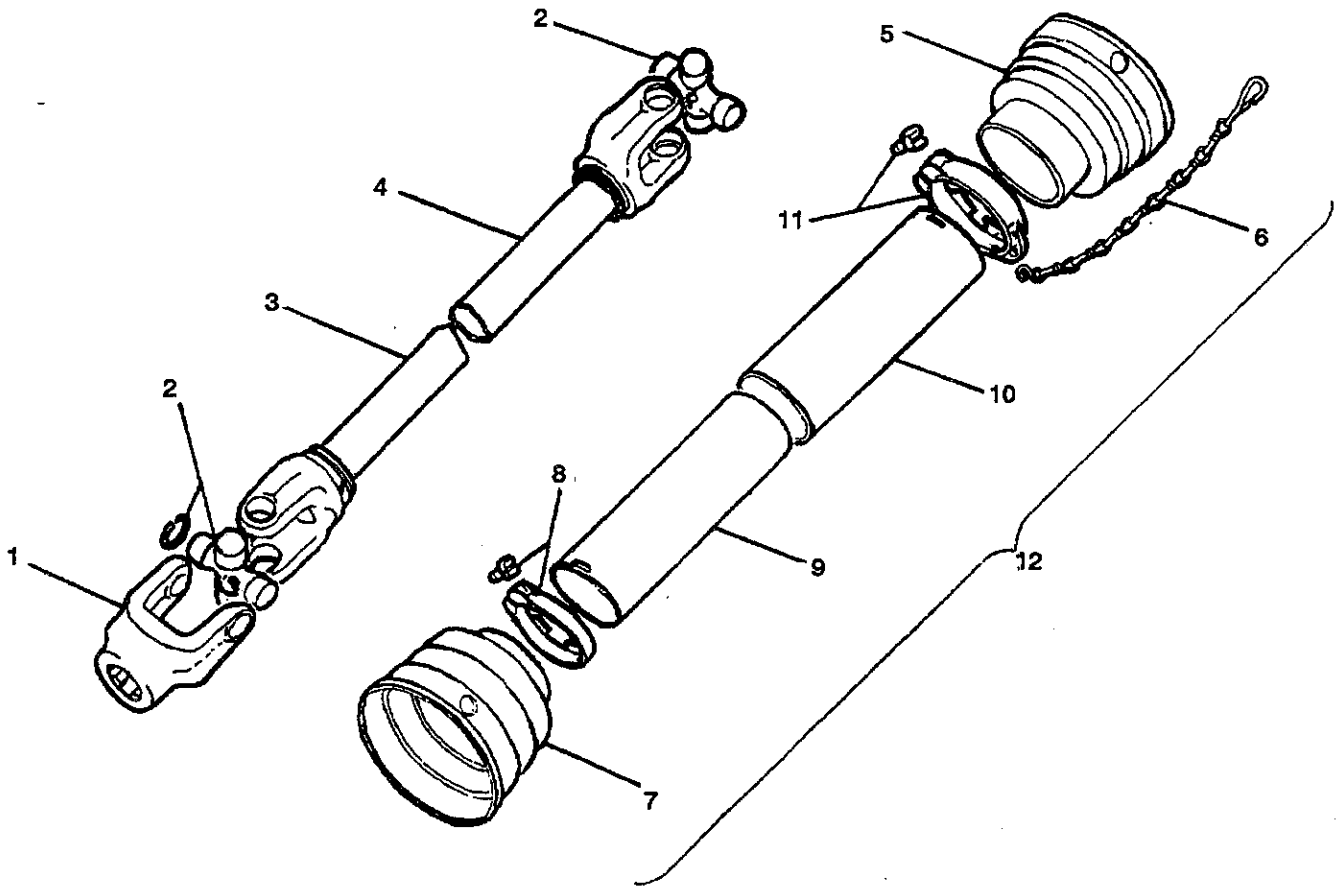


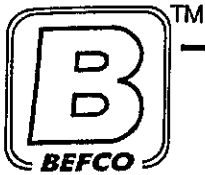


Pendular Spreader  
PTO  
16 (314, 320, 325, 335)- 121

GR16

*Hel*





Pendular Spreader  
PTO  
16 (314, 320, 325, 335)- 121

GR16

ITEM	PART #	DESCRIPTION	QTY.
1	021 001E	YOKE-TRACTOR END	1
	011 068B	YOKE-ROUND BORE ( IMP. END )	1
2	011 130E	CROSS & BEARING M22x54	2
3	210 908E	YOKE & MALE SHAFT	1
4	211 008E	YOKE & FEMALE SHAFT	1
5	012 013E	GUARD CONE OUTER	2
6	016 025E	SAFETY CHAIN	2
7	012 012E	GUARD CONE INNER	1
8	012 006E	LOCKING COLLAR INNER	1
9	111 209E	TUBE SHIELD MALE	1
10	111 109E	TUBE SHIELD FEMALE	1
11	012 007E	LOCKING COLLAR OUTER	1
12	210 209E	SHIELD COMPLETE	1
13	012 007E	BOLT FOR LOCKING COLLAR	6
	948 005B	PTO COMPLETE T10	1
	026 004E	PUSH PIN SET	2
	503 165B	BOLT 10X50 (IMPLEMENT YOKE)	1